

---

## CONDENSER RUN INDUCTION GEARED MOTOR

---



# CONDENSER RUN INDUCTION GEARED MOTOR

● OPEN HOUSING TYPE (IC-83428 TYPE)

● GEAR HEAD ASSEMBLY TYPE

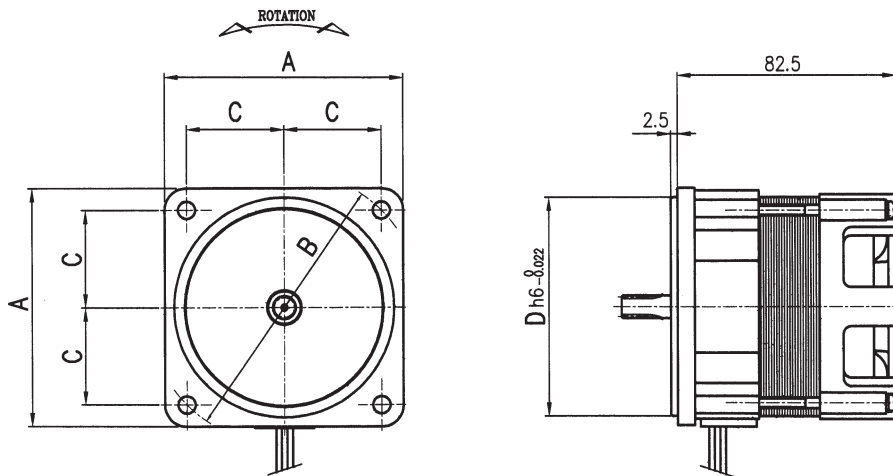


## IC-83 Series



SPG Co., Ltd.

### ▼ DIMENSIONS



MODEL	SIZE A	SIZE B	SIZE C	SIZE D	ASSEMBLY GEAR HEAD
IC-83428DWA	90	∅ 104	36.77	∅ 83	S9□B3□□ ~ S9□B200□□
IC-83428DWB	90	∅ 104	36.77	∅ 83	S9□B3□□ ~ S9□B200□□
IC-83428LGA	90	∅ 104	36.77	∅ 83	S9□B3□□ ~ S9□B200□□
IC-83428SSRA	80	∅ 94	32.84	∅ 73	S8□A3□ ~ S8□A200□

### ▼ Performance Data

MODEL	Poles	Voltage	Frequency	Output	Rated				Starting Torque		Duty
					Speed	Torque		Current	kg-cm	N-m	
						rpm	kg-cm				
IC-83428DWA	4	220	60	25	1600	1.8	0.18	0.29	1.5	0.15	cont.
IC-83428DWB	4	100	50/60	25	1250/1550	2.1/1.8	0.21/0.18	0.7/0.57	1.1/1.1	0.11/0.11	cont.
IC-83428LGA	4	220	60	25	1600	2.2	0.22	0.32	2.4	0.24	30MIN.
IC-83428SSRA	4	220	60	25	1600	1.7	0.17	0.33	2.2	0.22	30MIN.

# CONDENSER RUN INDUCTION GEARED MOTOR

## ● OPEN HOUSING TYPE (IC-83445 TYPE)

## ● GEAR HEAD ASSEMBLY TYPE

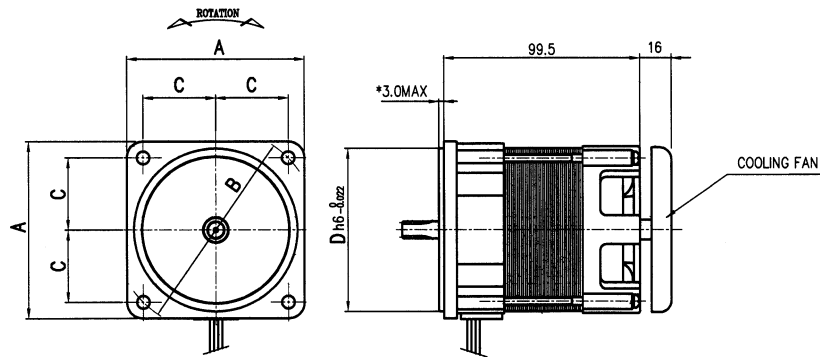


# IC-83 Series



**SPG Co., Ltd.**

## ▼ DIMENSIONS



MODEL	SIZE A	SIZE B	SIZE C	SIZE D	COOLING FAN	NOTE	ASSEMBLY GEAR HEAD
IC-83445DSA	80	∅ 94	32.84	∅ 73	N/A		S8 □ A3 □ ~ S8 □ A200 □
IC-83445DSB	80	∅ 94	32.84	∅ 73	N/A	SEMI BRAKE	S8 □ A3 □ ~ S8 □ A200 □
IC-83445DSD	90	∅ 104	36.77	∅ 83	○	SEMI BRAKE	S9 □ B3 □ ~ S9 □ B200 □ □
IC-83445DSE	80	∅ 94	32.84	∅ 73	○		S8 □ A3 □ ~ S8 □ A200 □
IC-83445KOB	80	∅ 94	32.84	∅ 73	N/A		S8 □ A3 □ ~ S8 □ A200 □
IC-83445KOB-1	80	∅ 94	32.84	∅ 73	N/A	SPEED CONTROL	S8 □ A3 □ ~ S8 □ A200 □
IC-83445KOB-2	80	∅ 94	32.84	∅ 73	N/A	SPEED CONTROL	S8 □ A3 □ ~ S8 □ A200 □
IC-83445KOB-3	80	∅ 94	32.84	∅ 73	N/A	OIL SEAL	S8 □ A3 □ ~ S8 □ A200 □
IC-83445KYA	80	∅ 94	32.84	∅ 73	N/A	SPEED CONTROL	S8 □ A3 □ ~ S8 □ A200 □
IC-83445KYB	80	∅ 94	32.84	∅ 73	N/A	SPEED CONTROL	S8 □ A3 □ ~ S8 □ A200 □
IC-83445WIA	90	∅ 104	36.77	∅ 83	N/A		S9 □ B3 □ ~ S9 □ B200 □ □

## ▼ Performance Data

MODEL	Poles P	Voltage V	Frequency Hz	Output W	Rated				Starting Torque		Duty
					Speed rpm	Torque		Current A	kg-cm	N-m	
						kg-cm	N-m				
IC-83445DSA	4	220	60	40	1550	3.55	0.355	0.45	2.46	0.246	cont.
IC-83445DSB	4	220	60	40	1550	4.41	0.441	0.54	4.56	0.456	30MIN.
IC-83445DSD	4	220	60	60	1550	6.22	0.622	0.58	6.30	0.630	30MIN.
IC-83445DSE	4	220	60	40	1550	3.55	0.355	0.45	2.46	0.246	cont.
IC-83445KOB	4	220	60	40	1550	3.55	0.355	0.45	2.46	0.246	cont.
IC-83445KOB-1	4	220	60	40	1550	3.08	0.308	0.43	2.34	0.234	cont.
IC-83445KOB-2	4	115	60	40	1550	3.54	0.354	0.92	2.37	0.237	cont.
IC-83445KOB-3	4	220	60	40	1550	3.55	0.355	0.45	2.46	0.246	cont.
IC-83445KYA	4	110	60	40	1550	3.34	0.334	1.00	2.34	0.234	cont.
IC-83445KYB	4	220/240	50	40	1550	3.14/3.72	0.314/0.372	0.36/0.39	1.75/2.07	0.175/0.207	cont.
IC-83445WIA	4	220	60	40	1550	3.55	0.355	0.45	2.46	0.246	cont.

# CONDENSER RUN INDUCTION MOTOR

● OPEN HOUSING TYPE (IC-83445 TYPE)

● STRAIGHT & CUT TYPE

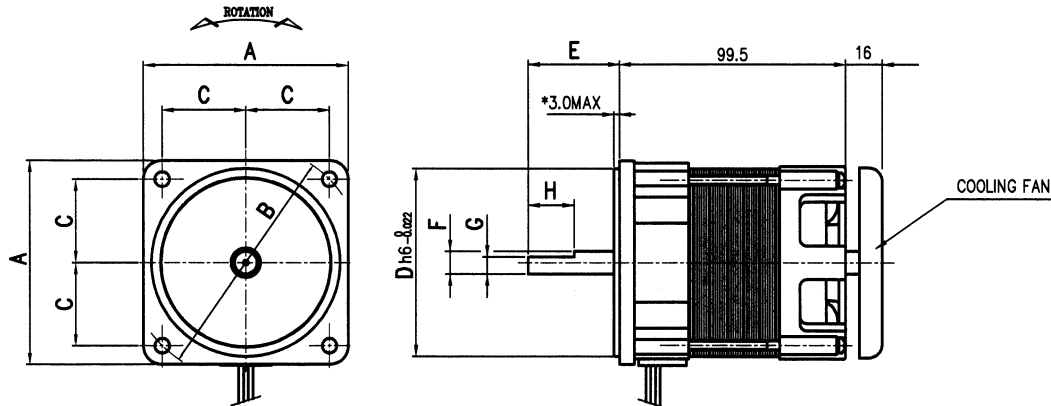


## IC-83 Series



SPG Co., Ltd.

### ▼ DIMENSIONS



MODEL	SIZE A	SIZE B	SIZE C	SIZE D	SIZE E	SIZE F	SIZE G	SIZE H	COOLING FAN	NOTE
IC-83445DSC	80	∅ 94	32.84	∅ 73	120	∅ 10	-	-	○	*3.0
IC-83445JIA	80	∅ 94	32.84	∅ 73	42	∅ 10	9	30	N/A	
IC-83445KOC	80	∅ 94	32.84	∅ 73	30	∅ 10	9	25	○	*3.0
IC-83445KOE	90	∅ 104	36.77	∅ 83	37	∅ 12	11	30	○	*3.0

### ▼ Performance Data

MODEL	Poles	Voltage	Frequency	Output	Rated			Starting Torque		Duty	
					Speed	Torque		Current	kg-cm		N-m
	P	V	Hz	W	rpm	kg-cm	N-m	A	kg-cm	N-m	
IC-83445DSC	4	220	50/60	60	1300/1550	7.06/7.08	0.706/0.708	0.81	5.25/5.3	0.525/0.53	cont.
IC-83445JIA	4	220	60	40	1550	3.55	0.355	0.45	2.46	0.246	cont.
IC-83445KOC	4	220	60	40	1550	4.78	0.478	0.57	3.15	0.315	cont.
IC-83445KOE	4	220	60	60	1550	6.15	0.615	1.82	3.87	0.387	cont.

# CONDENSER RUN INDUCTION GEARED MOTOR

● OPEN HOUSING TYPE (IC-83460 TYPE)

● GEAR HEAD ASSEMBLY TYPE

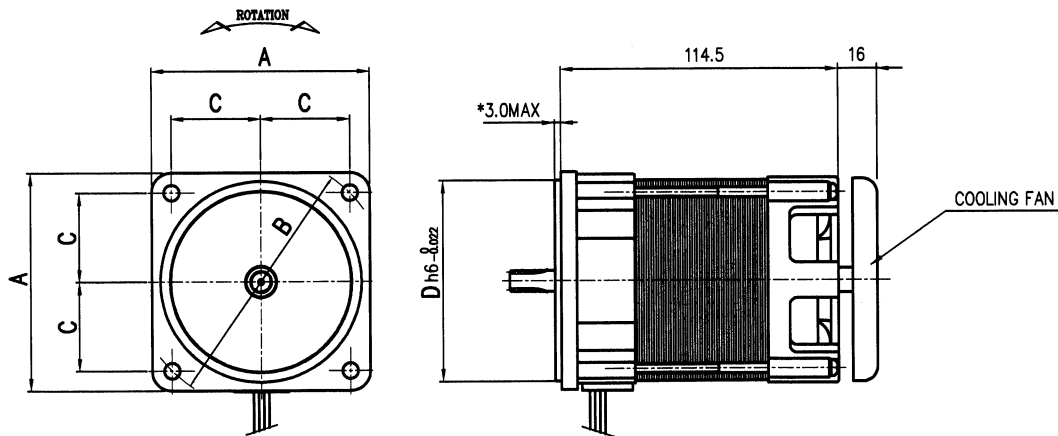


## IC-83 Series



SPG Co., Ltd.

### ▼ DIMENSIONS



MODEL	SIZE A	SIZE B	SIZE C	SIZE D	COOLING FAN	NOTE	ASSEMBLY GEAR HEAD
IC-83460IRB	80	∅ 94	32.84	∅ 73	○		S8 □ A3 □ ~ S8 □ A200 □
IC-83460SSA	90	∅ 104	36.77	∅ 83	○		S9 □ C3 □ ~ S9 □ C200 □ □
IC-83460SSB	90	∅ 104	36.77	∅ 83	○		S9 □ B3 □ ~ S9 □ B200 □ □

### ▼ Performance Data

MODEL	Poles	Voltage	Frequency	Output	Rated				Starting Torque		Duty
					Speed	Torque		Current	kg-cm	N-m	
						rpm	kg-cm				
IC-83460IRB	4	220	60	90	1500	8.62	0.862	1.10	5.00	0.500	cont.
IC-83460SSA	4	220	60	90	1650	6.86	0.686	0.90	5.55	0.555	cont.
IC-83460SSB	4	220	60	90	1650	6.86	0.686	0.90	5.55	0.555	cont.

# CONDENSER RUN INDUCTION MOTOR

● OPEN HOUSING TYPE (IC-83460 TYPE)

● STRAIGHT & CUT TYPE

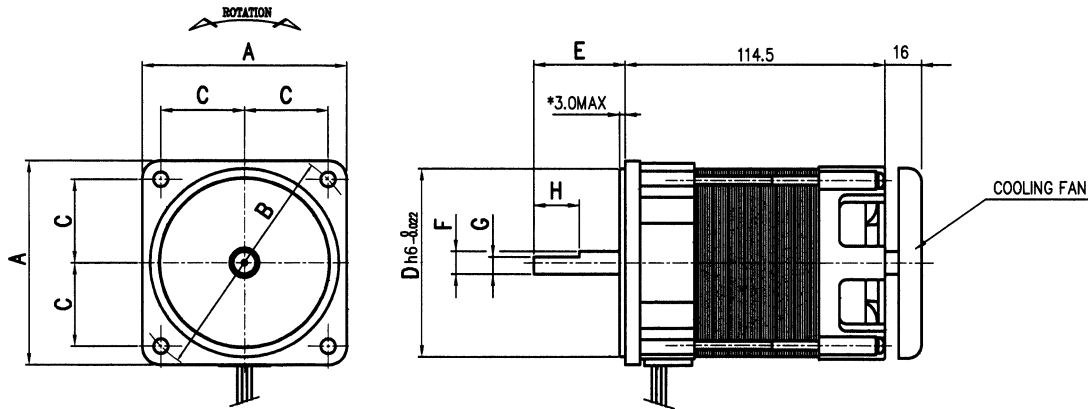


## IC-83 Series



SPG Co., Ltd.

### ▼ DIMENSIONS



MODEL	SIZE A	SIZE B	SIZE C	SIZE D	SIZE E	SIZE F	SIZE G	SIZE H	COOLING FAN	NOTE
IC-83460HEA	80	∅ 94	32.84	∅ 75	40	∅ 10	9	30	N/A	
IC-83460JIB	90	∅ 104	36.77	∅ 83	42	∅ 12	11	30	○	
IC-83460KOC	80	∅ 94	32.84	∅ 73	21	∅ 10	9	20	○	* 3.0

### ▼ Performance Data

MODEL	Poles	Voltage	Frequency	Output	Rated			Starting Torque		Duty	
					Speed	Torque		Current	kg-cm		N-m
						rpm	kg-cm				
IC-83460HEA	4	220	60	90	1500	8.60	0.860	1.30	3.72	0.372	30MIN.
IC-83460JIB	4	220	60	90	1550	8.08	0.808	0.95	6.25	0.625	cont.
IC-83460KOC	4	220	60	90	1650	6.86	0.686	0.90	5.55	0.555	cont.

# CONDENSER RUN INDUCTION GEARED MOTOR

## ● OPEN HOUSING TYPE

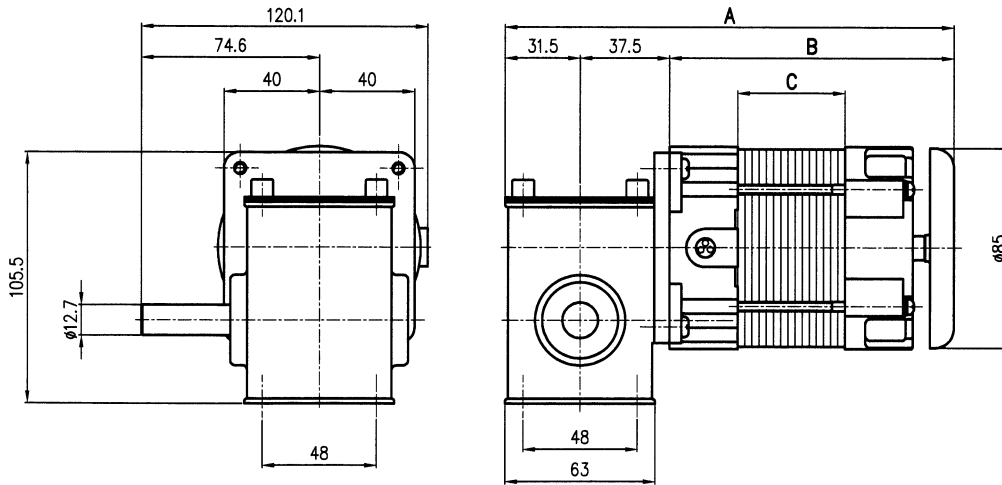


# ICG-83 Series



**SPG Co., Ltd.**

## ▼ DIMENSIONS



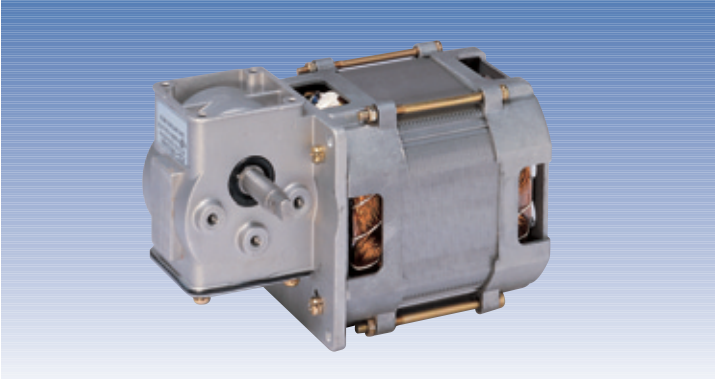
MODEL	SIZE A	SIZE B	SIZE C
ICG-83428	166.7	97.7	28
ICG-83434	172.7	103.7	34
ICG-83448	186.7	117.7	48
ICG-83460	198.7	129.7	60

## ▼ Performance Data

MODEL	Poles	Voltage	Frequency	Output	Rated				Starting Torque		Duty
					Speed	Torque		Current	kg-cm	N-m	
						rpm	kg-cm				
ICG-83428	4	220	60	20	62.5	16.0	1.60	0.50	11.0	1.10	cont.
ICG-83434	4	220	60	30	62.5	24.0	2.40	0.60	16.0	1.60	cont.
ICG-83448	4	115	60	40	62.5	25.0	2.50	0.85	16.0	1.60	cont.
ICG-83460	4	220	60	80	62.5	50.0	5.00	1.20	30.0	3.00	30MIN.

# CONDENSER RUN INDUCTION GEARED MOTOR

## ● OPEN HOUSING TYPE

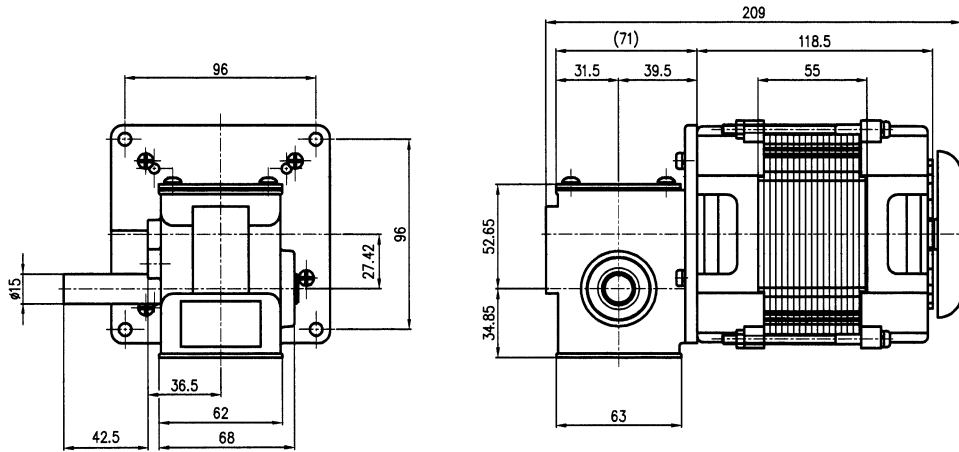


# ICG-1 Series



**SPG Co., Ltd.**

## ▼ DIMENSIONS



## ▼ Performance Data

MODEL	Poles P	Voltage V	Frequency Hz	Output W	Rated				Starting Torque		Duty
					Speed rpm	Torque		Current A	kg-cm	N-m	
						kg-cm	N-m				
ICG-1455A	4	110/220	60	220/242	80.0	164/157	16.4/15.7	4.0/2.1	117/118	11.7/11.8	30MIN.
ICG-1455B	4	220	60	212	80.0	151	15.1	1.80	95.7	9.57	30MIN.
ICG-1455C	4	220	60	212	80.0	151	15.1	1.50	95.7	9.57	30MIN.
ICG-1455D	4	110	60	220	80.0	164	16.4	4.0	117	11.7	30MIN.



# CONDENSER RUN INDUCTION GEARED MOTOR

## ● OPEN HOUSING TYPE

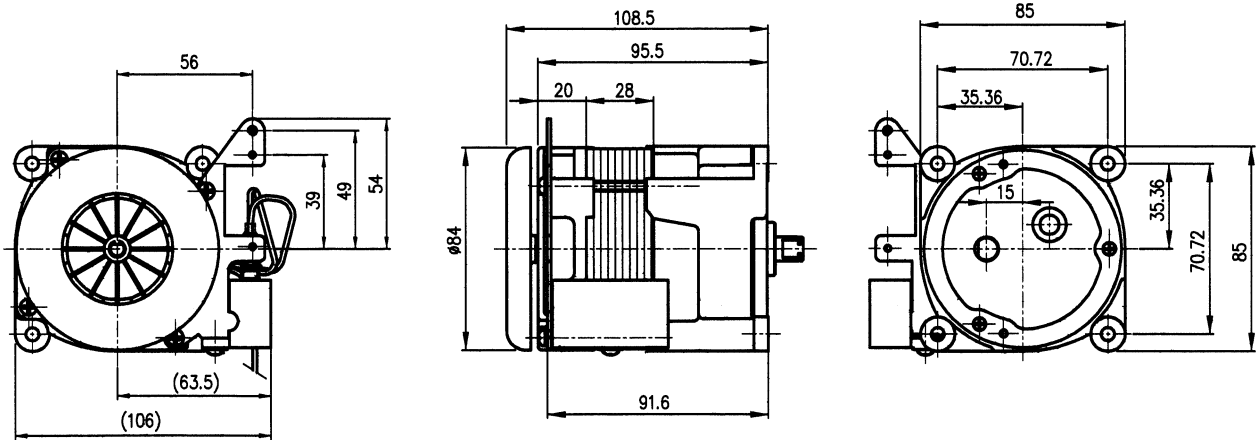


# ICG-83 Series



**SPG Co., Ltd.**

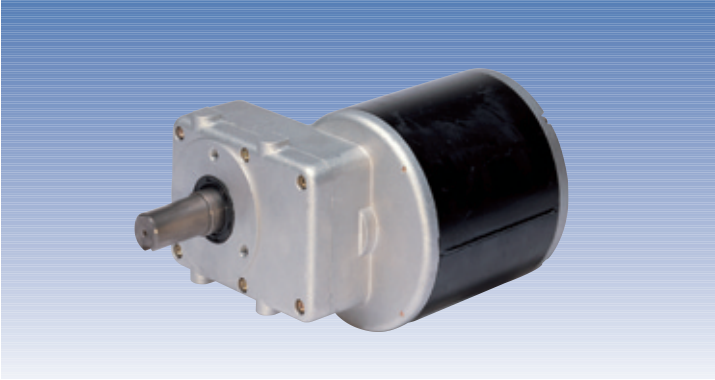
## ▼ DIMENSIONS



## ▼ Performance Data

MODEL	Poles P	Voltage V	Frequency Hz	Output W	Rated			Starting Torque		Duty	
					Speed rpm	Torque		Current A	kg-cm		N-m
						kg-cm	N-m				
ICG-83428A	4	220	60	16.0	220	7.0	0.70	0.40	13.0	1.30	cont.
ICG-83428B	4	220	50	16.0	220	7.0	0.70	0.40	13.0	1.30	cont.

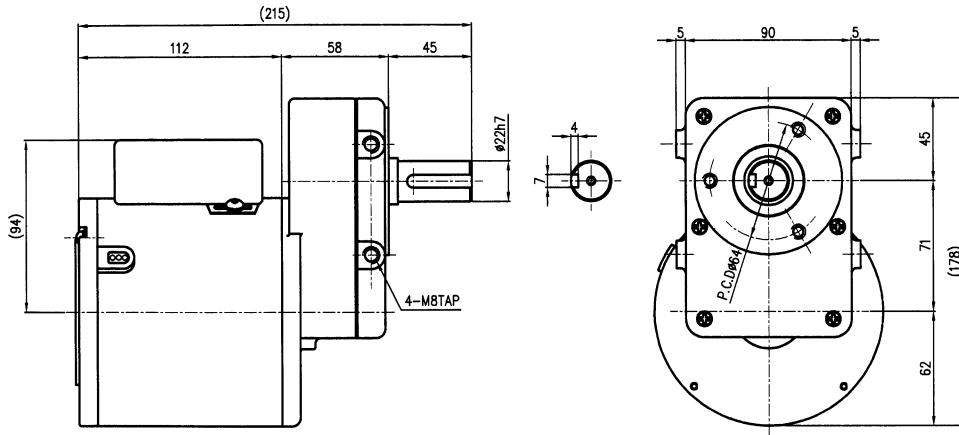
# CONDENSER RUN INDUCTION GEARED MOTOR



## ICG-12 Series

**SPG Co., Ltd.**

### ▼ DIMENSIONS



### ▼ Performance Data

MODEL	Poles	Voltage	Frequency	Output	Rated			Starting Torque		Duty	
					Speed	Torque		Current			
					rpm	kg-cm	N-m	A			
ICG-12440A	4	100	50/60	140/160	40.6/48.6	240/270	24.0/27.0	3.6	110	11.0	cont.

---

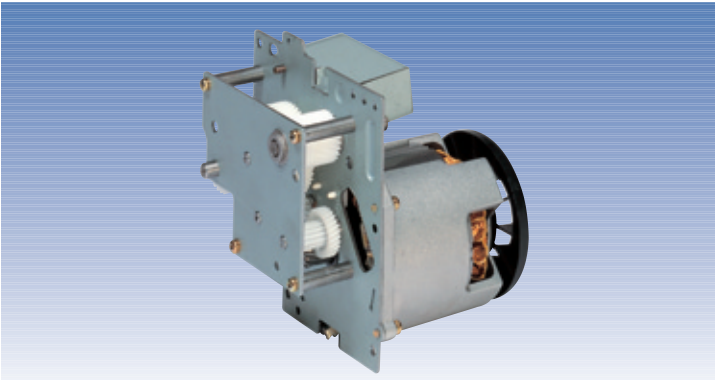
## REACTION GEARED MOTOR

---



# CONDENSER RUN REACTION GEARED MOTOR

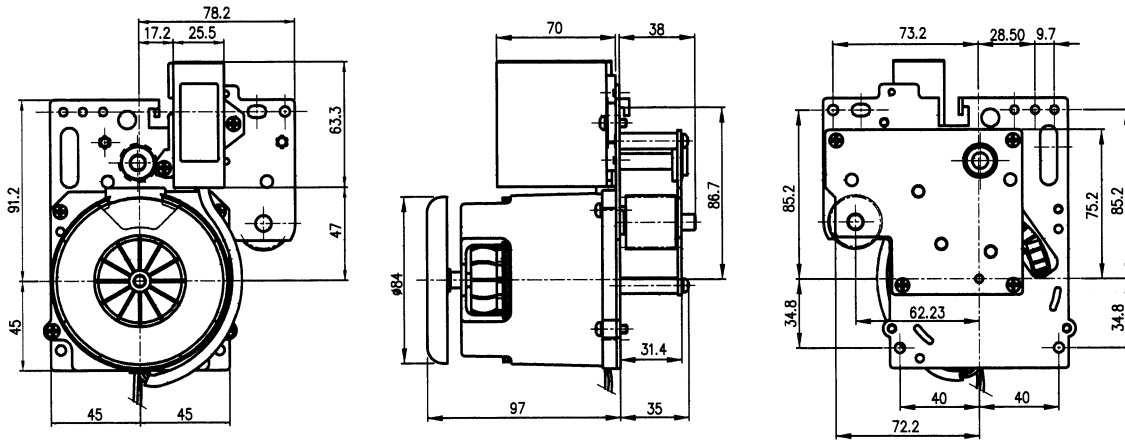
## ● CLOSE HOUSING TYPE



# IRG-83 Series

**SPG Co., Ltd.**

## ▼ DIMENSIONS

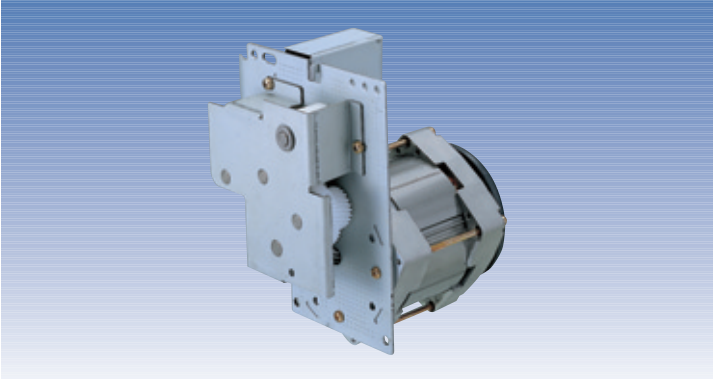


## ▼ Performance Data

MODEL	Poles P	Voltage V	Frequency Hz	Output W	Rated				Starting Torque		Duty
					Speed rpm	Torque		Current A	kg-cm	N-m	
						kg-cm	N-m				
IRG-83435A	4	220	60	16	63.66	24.0	2.40	0.50	18.5	1.85	cont.
IRG-83435B	4	220	60	16	76.40	24.0	2.40	0.50	18.5	1.85	cont.
IRG-83435C	4	115	60	16	63.67	24.0	2.40	0.85	18.5	1.85	cont.
IRG-83435D	4	220	50	16	63.67	24.0	2.40	0.70	18.5	1.85	cont.
IRG-83435E	4	240	50	16	63.67	24.0	2.40	0.65	18.5	1.85	cont.
IRG-83435F	4	220	50	18	76.41	24.0	2.40	0.71	18.5	1.85	cont.
IRG-83435G	4	115	60	18	76.41	24.0	2.40	0.90	18.5	1.85	cont.
IRG-83435H	4	220	50	16	66.77	24.0	2.40	0.74	18.5	1.85	cont.
IRG-83435I	4	127	60	13	66.76	20.0	2.00	0.57	18.5	1.85	cont.
IRG-83435J	4	220	60	13	66.76	20.0	2.00	0.34	18.5	1.85	cont.

# CONDENSER RUN REACTION GEARED MOTOR

## ● OPEN HOUSING TYPE

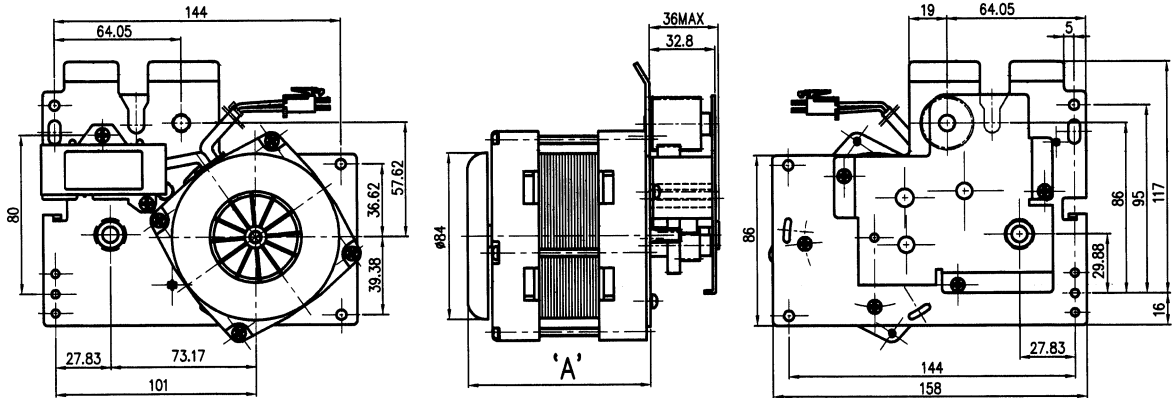


# IRG-83 Series



**SPG Co., Ltd.**

## ▼ DIMENSIONS



## ▼ Performance Data

MODEL	Poles P	Voltage V	Frequency Hz	Output W	Rated			Starting Torque		Duty	SIZE 'A'
					Speed rpm	Torque kg-cm N-m	Current A	kg-cm	N-m		
IRG-83435K	4	220	60	15	76.39	20.0 2.00	0.60	14.0	1.40	cont.	92
IRG-83435L	4	115	60	15	76.40	20.0 2.00	0.85	15.5	1.55	cont.	92
IRG-83435M	4	220	50	15	76.39	20.0 2.00	0.58	15.5	1.55	cont.	92
IRG-83445A	4	220	60	23	114.7	20.0 2.00	0.50	14.0	1.40	cont.	102
IRG-83445B	4	220	60	27	133.8	20.0 2.00	0.45	14.0	1.40	cont.	102
IRG-83445C	4	220	50	23	114.7	20.0 2.00	0.50	14.0	1.40	cont.	102
IRG-83445D	4	115	60	23	114.7	20.0 2.00	0.75	14.0	1.40	cont.	102
IRG-83445E	4	240	50	23	114.7	20.0 2.00	0.40	14.0	1.40	cont.	102
IRG-83445F	4	220	50	27	133.8	20.0 2.00	0.50	14.0	1.40	cont.	102
IRG-83445G	4	220	60	28	137.9	20.0 2.00	0.34	14.0	1.40	cont.	102

# CONDENSER RUN REACTION GEARED MOTOR

## ● OPEN HOUSING TYPE

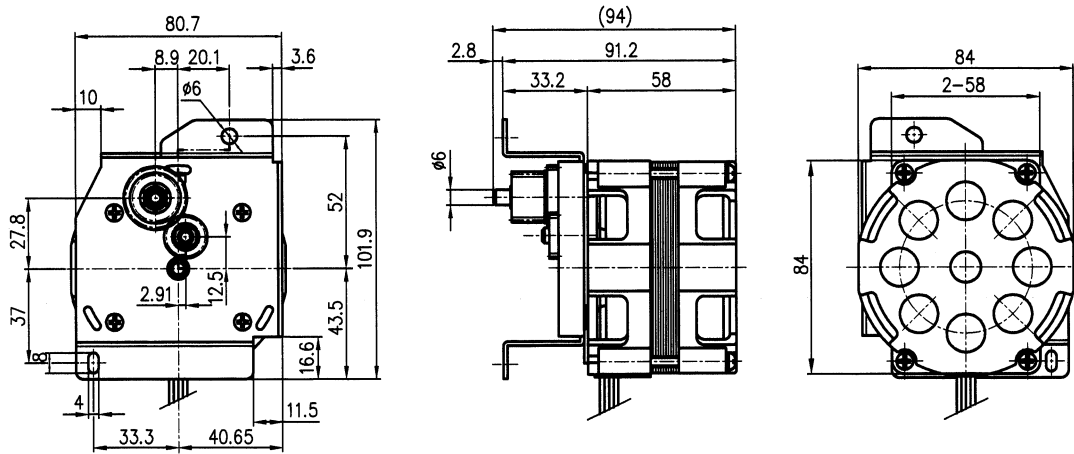


# IRG-83 Series



SPG Co., Ltd.

## ▼ DIMENSIONS



## ▼ Performance Data

MODEL	Poles P	Voltage V	Frequency Hz	Output W	Rated			Starting Torque		Duty
					Speed rpm	Torque kg-cm N-m	Current A	kg-cm	N-m	
IRG-83415A	4	220	60	5.6	321.4	1.7 0.17	0.13	1.7	0.17	cont.
IRG-83415B	4	220	60	5.0	286.6	1.7 0.17	0.12	1.7	0.17	cont.
IRG-83415C	4	220	60	3.3	191.2	1.7 0.17	0.12	1.7	0.17	cont.
IRG-83415D	4	220	60	5.8	331.6	1.7 0.17	0.11	1.7	0.17	cont.
IRG-83415E	4	220	50	5.6	321.4	1.7 0.17	0.20	1.7	0.17	cont.